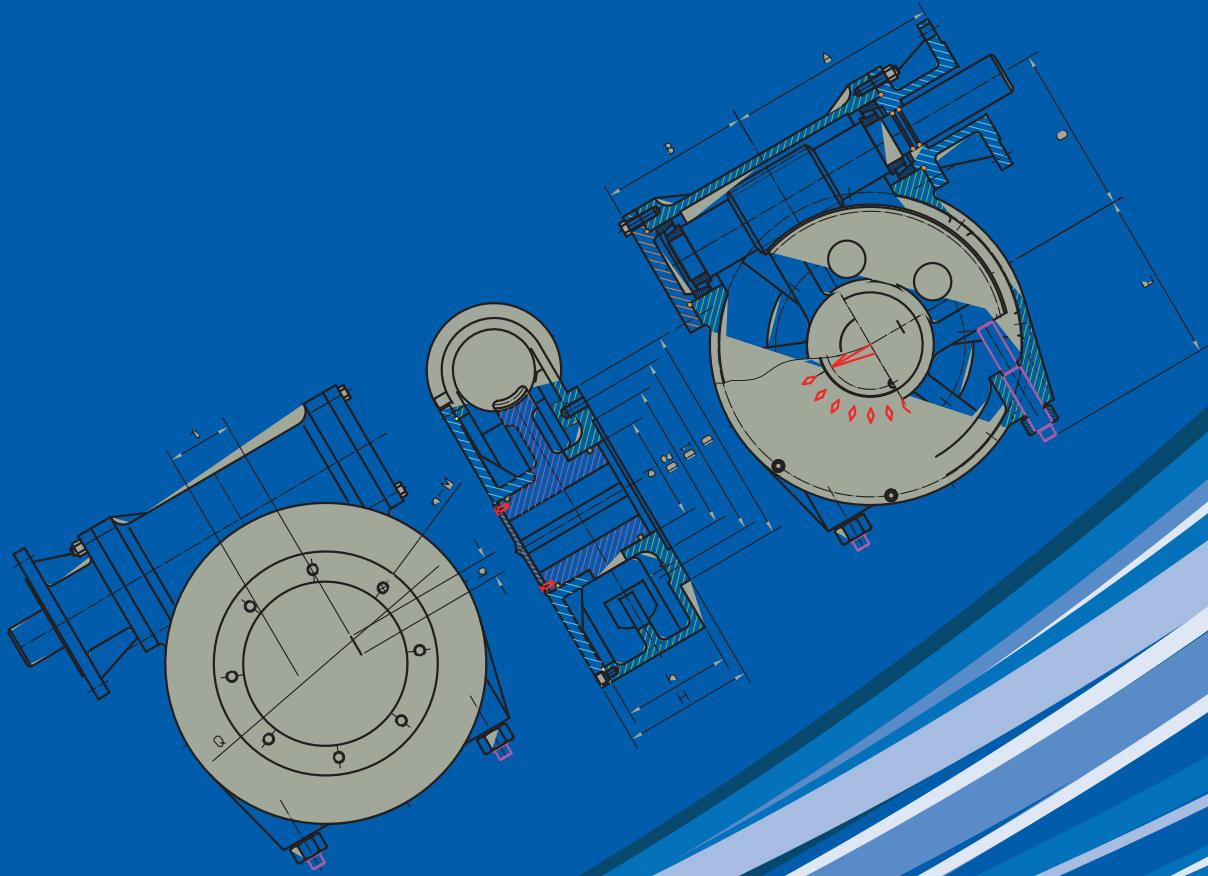


# WORM GEAR BOX CATALOGUE

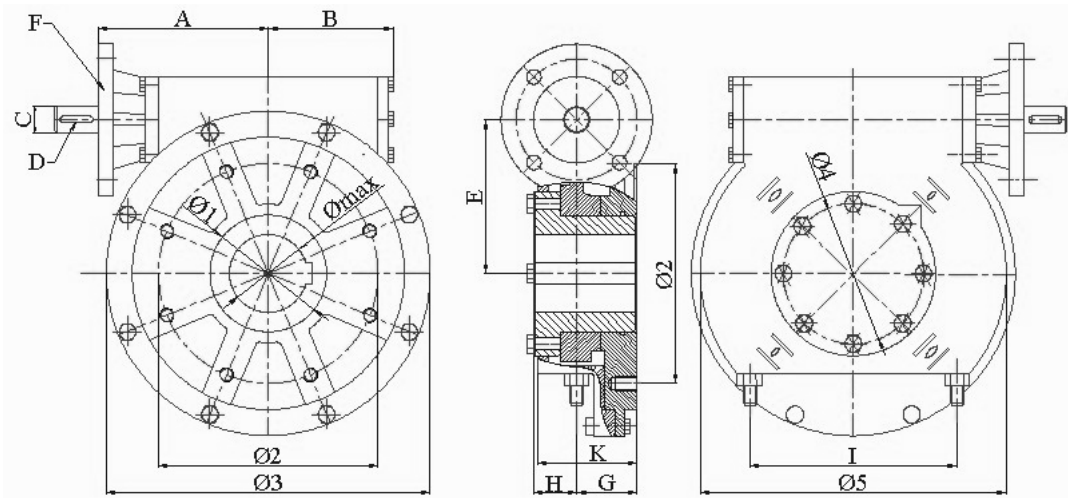


**CKD** **SERIES**

### CONTENT

JWA SERIES - SINGLE STAGE.....	2
JWA SERIES - TWO STAGES .....	3
JWA SERIES SIZING CHART.....	6
JWB SERIES - SINGLE STAGE .....	8
JWB SERIES - TWO STAGES.....	10
JWB SERIES SIZING CHART .....	12
JWC SERIES - SINGLE STAGE .....	14
JWC SERIES - TWO STAGES.....	15
JWC SERIES SIZING CHART .....	19

### JWA SERIES - SINGLE STAGE



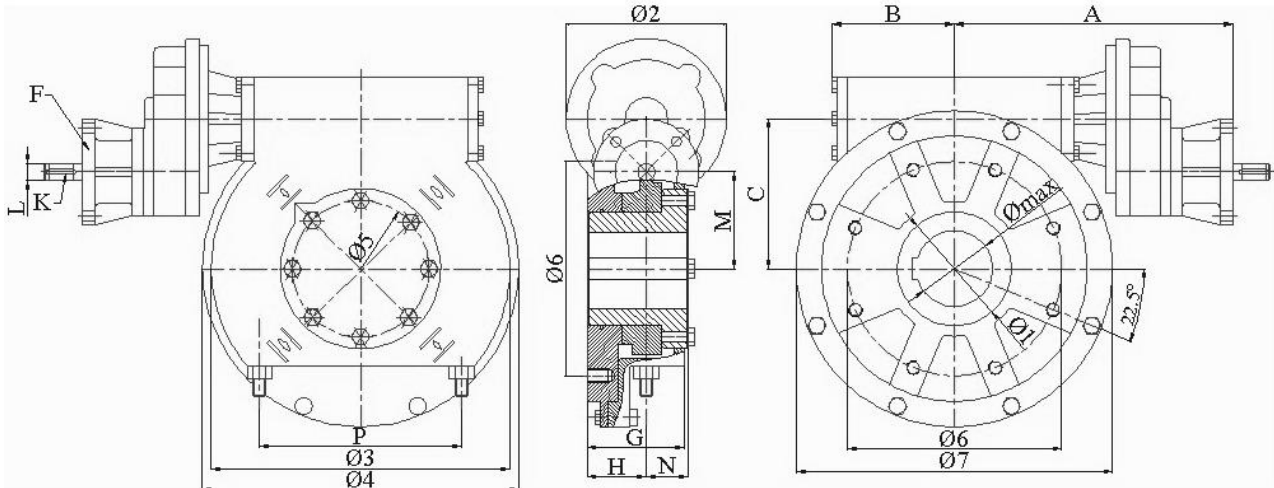
#### Dimension

/mm

Model	JWA3-40	JWA3-60	JWA4-70	JWA5-70	JWA6-70	JWA7-70	JWA8-70
A	150	150	159	187	197	297	324
B	97	97	106	135	145	195	230
C	Φ20	Φ20	Φ20	Φ20	Φ30	Φ30	Φ40
D	6*6	6*6	6*6	6*6	8*7	8*7	12*8
E	75	75	102.5	135	178	210	246
F	F10	F10	F10	F10/F14	F14/F16	F14/F16	F16/F25
G	52	52	54	75	70	86	113
H	43	43	38	50	50	59	75
I	100 (2-M12)	100 (2-M12)	132 (2-M16)	140 (2-M16)	240 (2-M20)	280 (2-M24)	300 (2-M24)
K	87	87	89	120	115	145	188
Φ1	60	60	85	100	135	160	200
Φ2	102 (4-M10)	102 (4-M10)	140 (4-M16)	165 (4-M20)	254 (8-M16)	254 (8-M16)	254 (8-M16)
Φ3	170	170	218	285	375	450	520
Φ4	72 (4-M8)	72 (4-M8)	100 (8-M8)	118 (8-M10)	162 (8-M12)	182 (8-M16)	230 (8-M16)
Φ5	156	156	210	270	354	410	490
Φmax	45	45	64	76	102	127	153

\* The information herein is subject to change without notice.

### JWA SERIES - TWO STAGES

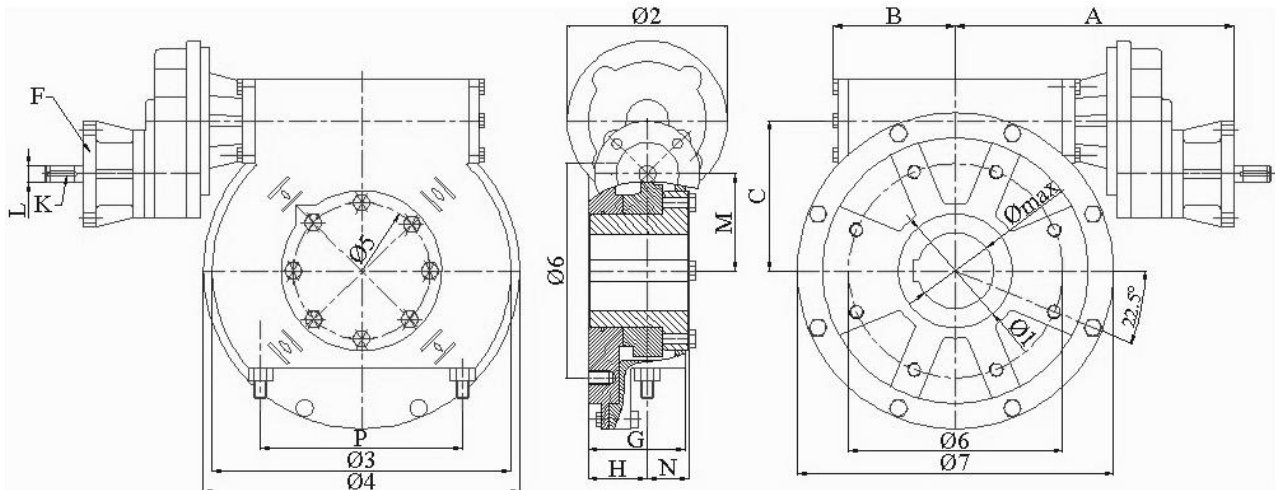


#### Dimension

/mm

Model	JWA4R-(140/210/280)	JWA5R-(140/210/280/350)	JWA6R-(140/210/280/350/420)	JWA7R-(140/210/280/350/420/490)
A	292	320	330	418
B	106	135	145	195
C	102	135	178	210
F	F10	F10	F10/F14	F10/F14
G	89	120	115	145
H	54	75	70	86
K	6*6	6*6	6*6	6*6
L	Φ20	Φ20	Φ20	Φ20
M	39	72	115	80
N	38	50	50	59
P	132 (2-M16)	170 (2-M16)	240 (2-M20)	280 (2-M24)
Φ1	85	100	135	160
Φ2	190	190	190	312
Φ3	210	270	354	410
Φ4	218	285	375	454
Φ5	100 (8-M8)	118 (8-M10)	162 (8-M12)	182 (8-M16)
Φ6	140 (4-M16)	165 (4-M20)	254 (8-M16)	254 (8-M16)
Φ7	218	285	375	450
Φmax	64	76	102	127

\* The information herein is subject to change without notice.

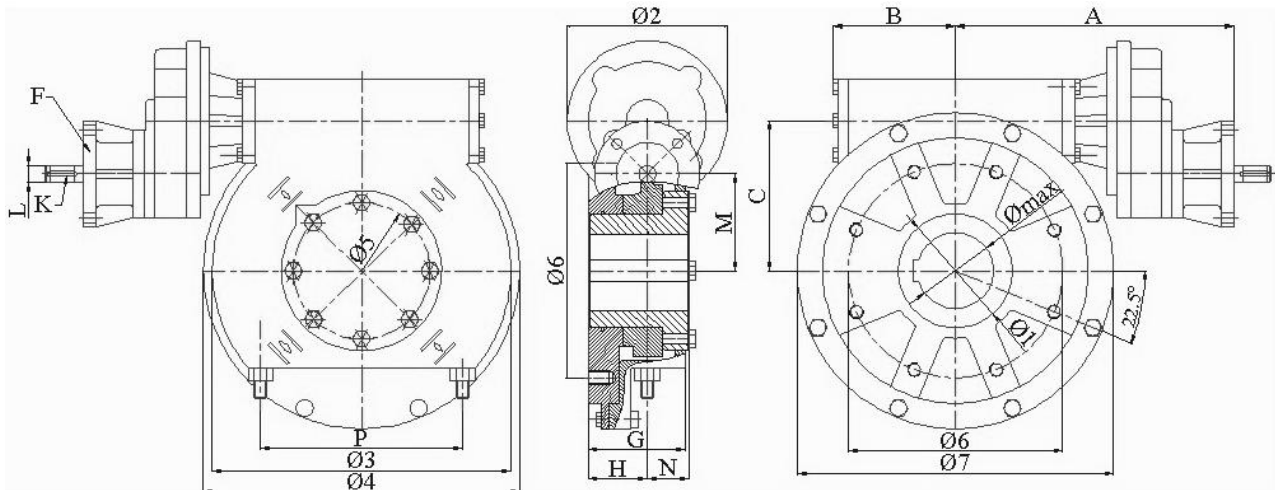


### Dimension

/mm

Model	JWA8R-(140/210/280/350/420/490/560/630/700/840)	JWA9R-(130/195/260/325/390/520/585/650/780)
A	445	478
B	230	265
C	246	270
F	F14/F16	F14/F16
G	188	200
H	113	120
K	6*6	6*6
L	Ø20	Ø20
M	116	140
N	75	80
P	300 (2-M24)	330 (2-M24)
Ø1	200	246
Ø2	312	312
Ø3	490	535
Ø4	520	590
Ø5	230 (8-M16)	276 (8-M16)
Ø6	254 (8-M16)	298 (8-M20)
Ø7	520	590
Ømax	153	178

\* The information herein is subject to change without notice.



### Dimension

/mm

Model	JWA10R-(128/192/256/320/384/512/576/640/768/1280/1600)	JWA12R-(170/255/340/425/510/595/680/765/850/935/1020/2040)
A	583	641
B	305	369
C	342	436.5
F	F16/F25	F16/F25
G	264	269
H	154	156
K	8*7	12*8
L	Φ30	Φ40
M	122	217
N	110	113
P	475 (2-M36)	660 (2-M42)
Φ1	280	350
Φ2	463	463
Φ3	690	877
Φ4	735	920
Φ5	320 (16-M20)	390 (16-M20)
Φ6	356 (8-M30)	406 (8-M36)
Φ7	735	920
Φmax	220	250

\* The information herein is subject to change without notice.

### JWA SERIES SIZING CHART

Model	Max Output Torque (N.m)	Ratio	Max Input Torque (N.m)	M.A.	Flange Type	Weight (Kg)
JWA3-40	600	40	50	12	F07/F10/F12	15
JWA3-60	600	60	33	18	F07/F10/F12	15
JWA4-70	1500	70	71	21	F10/F12/F14/F16	23
JWA4R-140	1500	140	36	42	F10/F12/F14/F16	35
JWA4R-210	1500	210	24	63	F10/F12/F14/F16	35
JWA4R-280	1500	280	18	84	F10/F12/F14/F16	35
JWA5-70	3000	70	143	21	F14/F16	46
JWA5R-140	3000	140	71	42	F14/F16	58
JWA5R-210	3000	210	48	63	F14/F16	58
JWA5R-280	3000	280	36	84	F14/F16	58
JWA5R-350	3000	350	29	105	F14/F16	58
JWA6-70	6000	70	286	21	F16/F25	88
JWA6R-140	6000	140	143	42	F16/F25	100
JWA6R-210	6000	210	95	63	F16/F25	100
JWA6R-280	6000	280	71	84	F16/F25	100
JWA6R-350	6000	350	57	105	F16/F25	100
JWA6R-420	6000	420	48	126	F16/F25	100
JWA7-70	10000	70	476	21	F25/F30	140
JWA7R-140	10000	140	238	42	F25/F30	152
JWA7R-210	10000	210	159	63	F25/F30	152
JWA7R-280	10000	280	119	84	F25/F30	152
JWA7R-350	10000	350	95	105	F25/F30	152
JWA7R-420	10000	420	79	126	F25/F30	152
JWA7R-490	10000	490	68	147	F25/F30	152
JWA8-70	20000	70	816	24.5	F25/F30/F35	260
JWA8R-140	20000	140	408	49	F25/F30/F35	278
JWA8R-210	20000	210	272	73.5	F25/F30/F35	278
JWA8R-280	20000	280	204	98	F25/F30/F35	278
JWA8R-350	20000	350	163	122.5	F25/F30/F35	278
JWA8R-420	20000	420	136	147	F25/F30/F35	278
JWA8R-490	20000	490	117	171.5	F25/F30/F35	278
JWA8R-560	20000	560	102	196	F25/F30/F35	290
JWA8R-630	20000	630	91	220.5	F25/F30/F35	290
JWA8R-700	20000	700	82	245	F25/F30/F35	290
JWA8R-840	20000	840	68	294	F25/F30/F35	290

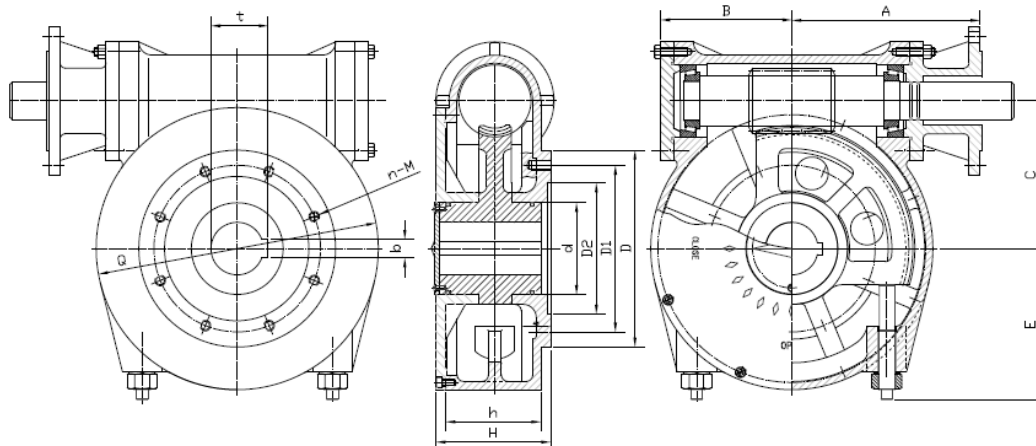
Model	Max Output Torque (N.m)	Ratio	Max Input Torque (N.m)	M.A.	Flange Type	Weight (Kg)
JWA9R-130	35000	130	769	45.5	F30/F35/F40	368
JWA9R-195	35000	195	513	68.25	F30/F35/F40	368
JWA9R-260	35000	260	385	91	F30/F35/F40	368
JWA9R-325	35000	325	308	113.75	F30/F35/F40	368
JWA9R-390	35000	390	256	136.5	F30/F35/F40	368
JWA9R-520	35000	520	192	182	F30/F35/F40	380
JWA9R-585	35000	585	171	204.75	F30/F35/F40	380
JWA9R-650	35000	650	154	227.5	F30/F35/F40	380
JWA9R-780	35000	780	128	273	F30/F35/F40	380
JWA10R-128	65000	128	1451	44.8	F35/F40	668
JWA10R-192	65000	192	967	67.2	F35/F40	668
JWA10R-256	65000	256	725	89.6	F35/F40	668
JWA10R-320	65000	320	580	112	F35/F40	668
JWA10R-384	65000	384	484	134.4	F35/F40	668
JWA10R-512	65000	512	363	179.2	F35/F40	680
JWA10R-576	65000	576	322	201.6	F35/F40	680
JWA10R-640	65000	640	290	224	F35/F40	680
JWA10R-768	65000	768	242	268.8	F35/F40	680
JWA10R-1280	65000	1280	145	448	F35/F40	680
JWA10R-1600	65000	1600	116	560	F35/F40	680
JWA12R-170	130000	170	2185	59.5	F40	960
JWA12R-255	130000	255	1457	89.25	F40	960
JWA12R-340	130000	340	1092	119	F40	960
JWA12R-425	130000	425	874	148.75	F40	960
JWA12R-510	130000	510	728	178.5	F40	960
JWA12R-595	130000	595	624	208.25	F40	960
JWA12R-680	130000	680	546	238	F40	960
JWA12R-765	130000	765	486	267.75	F40	960
JWA12R-850	130000	850	437	297.5	F40	960
JWA12R-935	130000	935	397	327.25	F40	960
JWA12R-1020	130000	1020	364	357	F40	960
JWA12R-2040	130000	2040	182	714	F40	960

\* More specifications are available on request.

JWA SERIES



### JWB SERIES - SINGLE STAGE

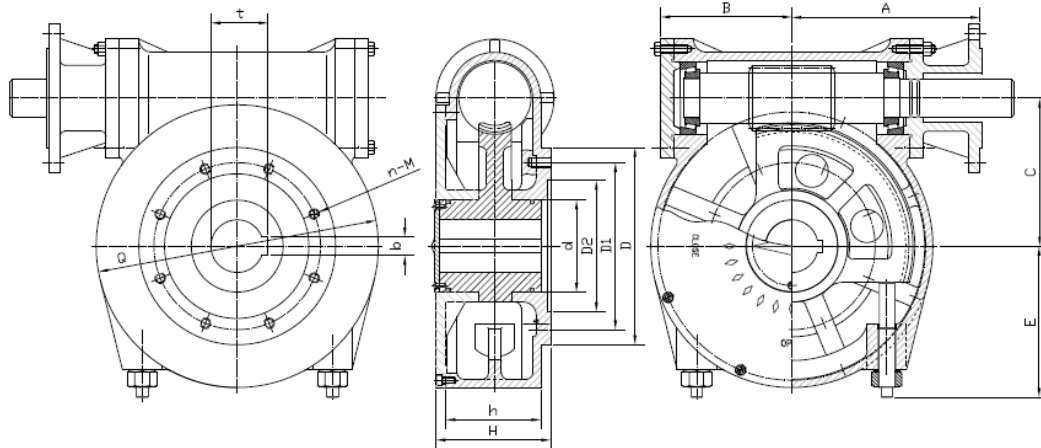


#### Dimension

/mm

Model	JWB6-39	JWB8-42	JWB12-51	JWB12-51	JWB16-53
Flange Type	F10	F12	F14	F16	F25
D	125	150	175	210	300
D <sub>1</sub>	102	125	140	165	254
D <sub>2</sub>	70	85	100	130	200
d	25	35	40-50	50	55-60
n-M	4-M10	4-M12	4-M16	4-M20	8-M16
b	8x1	10x1	12x1	16x1	18x1
t	28	38	43	53.5	64
h	50	70	80	100	120
H	86	102	130	130	152
Q	154	190	280	280	345
A	160	175	195	195	260
B	75	90	152	152	180
C	63	80	125	125	160
E	96	115	165	165	197
Rated Ratio	39:1	42:1	51:1	51:1	53:1
Rotate Travel	90°	90°	90°	90°	90°
Limited Adjust	±5°	±5°	±5°	±5°	±5°

\* The information herein is subject to change without notice.



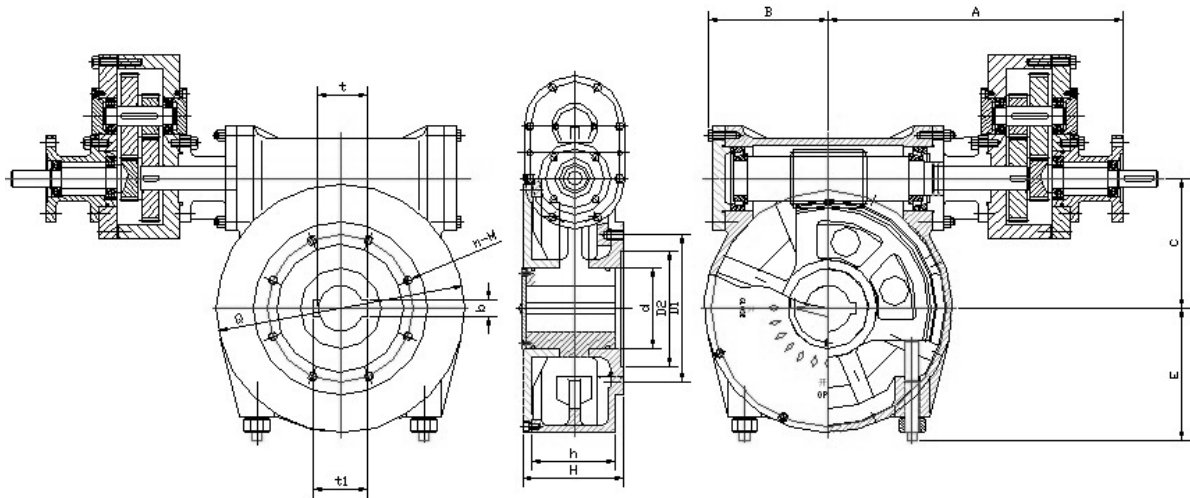
### Dimension

/mm

Model	JWB20-70	JWB26-71	JWB33-71	JWB37-76	JWB45-77
Flange Type	F25	F30	F35	F40	F48
D	300	350	415	475	560
D <sub>1</sub>	254	298	356	406	483
D <sub>2</sub>	200	230	260	300	370
d	70-80	90-110	120-150	160-200	200-250
n-M	8-M16	8-M20	8-M30	8-M36	12-M36
b	20x2	25x2	32x2	40x2	45x2
t	84	100	134	178	220
h	120	170	180	230	250
H	155	200	215	255	274
Q	425	510	666	720	880
A	280	350	390	415	460
B	200	232	284	315	360
C	200	263	337	373	451
E	230	270	270	360	440
Rated Ratio	70:1	71:1	71:1	76:1	77:1
Rotate Travel	90°	90°	90°	90°	90°
Limited Adjust	±5°	±5°	±5°	±5°	±5°

\* The information herein is subject to change without notice.

### JWB SERIES - TWO STAGES

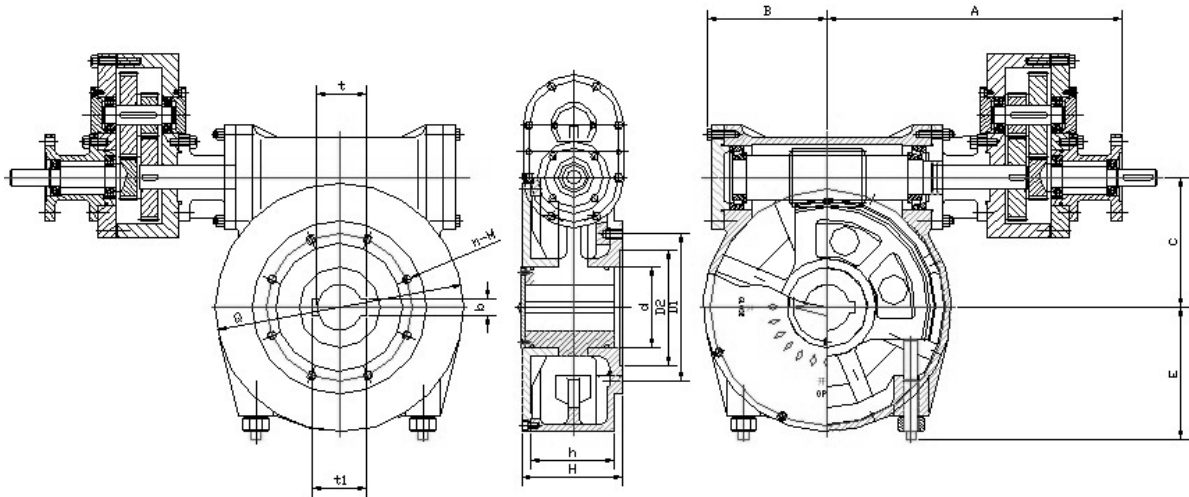


#### Dimension

/mm

Model	JWB6(2.5:1)-98	JWB8(2.5:1)-105	JWB12(2:1)-102	JWB12(2:1)-102	JWB16(2:1)-106
Flange Type	F10	F12	F14	F16	F25
D	125	150	175	210	300
D <sub>1</sub>	102	125	140	165	254
D <sub>2</sub>	70	85	100	130	200
d	25	35	40-50	50	55-60
n-M	4-M10	4-M12	4-M16	4-M20	8-M16
b	8x1	10x1	12x1	16x1	18x1
t	28	38	43	53.5	64
h	50	70	80	100	120
H	86	102	130	130	152
Q	154	190	280	280	345
A	160	175	195	195	260
B	75	90	152	152	180
C	63	80	125	125	160
E	96	115	165	165	197
Rated Ratio	39:1	42:1	51:1	51:1	53:1
Min Spur Gear Ratio	2.5:1	2.5:1	2:1	2:1	2:1
Max Spur Gear Ratio	4:1	4:1	5:1	5:1	11.5:1
Rotate Travel	90°	90°	90°	90°	90°
Limited Adjust	±5°	±5°	±5°	±5°	±5°

\* The information herein is subject to change without notice.



### Dimension

/mm

Model	JWB20(2:1)-140	JWB26(2:1)-142	JWB33(2:1)-142	JWB37(2:1)-152	JWB45(2:1)-154
Flange Type	F25	F30	F35	F40	F48
D	300	350	415	475	560
D <sub>1</sub>	254	298	356	406	483
D <sub>2</sub>	200	230	260	300	370
d	70-80	90-110	120-150	160-200	200-250
n-M	8-M16	8-M20	8-M30	8-M36	12-M36
b	20×2	25×2	32×2	40×2	45×2
t (MAX)	115	137	183	243	301
h	120	170	180	230	250
H	155	200	215	255	274
Q	425	510	666	720	880
A	280	350	390	415	460
B	200	232	284	315	360
C	200	263	337	373	451
E	230	270	270	360	440
Rated Ratio	70:1	71:1	71:1	76:1	77:1
Min Spur Gear Ratio	2:1	2:1	2:1	2:1	2:1
Max Spur Gear Ratio	11.5:1	13:1	13:1	16.5:1	16.5:1
Rotate Travel	90°	90°	90°	90°	90°
Limited Adjust	±5°	±5°	±5°	±5°	±5°

\* The information herein is subject to change without notice.

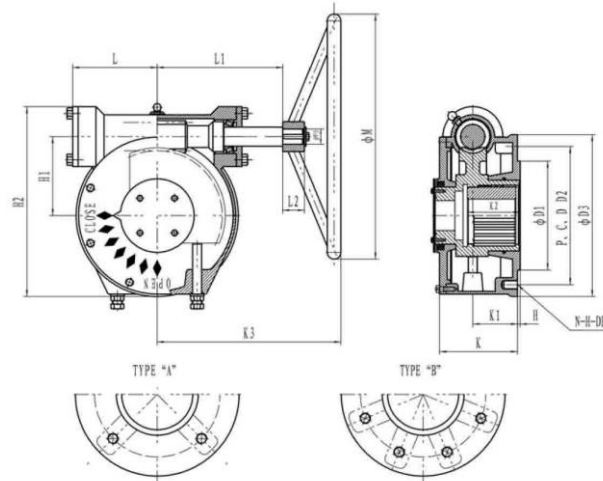
### JWB SERIES SIZING CHART

Model	Max Output Torque (N.m)	Ratio	Max Input Torque (N.m)	M.A.	Flange Type	Weight (Kg)
JWB6-39	600	39	40.5	14.82	F10	14
JWB6(2.5:1)-98	600	98	21.9	27.44	F10	22
JWB6(2.7:1)-105	600	105	20.4	29.40	F10	22
JWB6(2.88:1)-112	600	112	19.1	31.4	F10	22
JWB6(3.1:1)-122	600	122	17.6	34.16	F10	22
JWB6(4:1)-156	600	156	13.7	43.68	F10	22
JWB8-42	1600	42	105.9	15.01	F12	33
JWB8(2.5:1)-105	1600	105	42.6	37.60	F12	40
JWB8(2.7:1)-113	1600	113	50.5	39.55	F12	40
JWB8(2.88:1)-120	1600	120	47.6	42.00	F12	40
JWB8(3.1:1)-130	1600	130	43.9	45.50	F12	40
JWB8(4:1)-168	1600	168	34.0	54.20	F12	40
JWB12-51	4800	51	247.7	19.38	F14,F16	55
JWB12(2:1)-102	4800	102	168.1	28.56	F14,F16	75, 90
JWB12(2.6:1)-133	4800	133	128.9	37.26	F14,F16	75, 90
JWB12(3.1:1)-158	4800	158	108.5	44.24	F14,F16	75, 90
JWB12(3.5:1)-178	4800	178	96.3	49.84	F14,F16	75, 90
JWB12(4:1)-204	4800	204	84.0	57.12	F14,F16	75, 90
JWB12(5:1)-255	4800	255	67.2	71.4	F14,F16	75, 90
JWB16-53	12000	53	595.8	20.14	F25	82
JWB16(2:1)-106	12000	106	404.1	29.69	F25	125
JWB16(2.6:1)-138	12000	138	310.4	38.65	F25	125
JWB16(3.1:1)-164	12000	164	261.2	45.94	F25	125
JWB16(3.5:1)-185	12000	185	167.7	71.53	F25	125
JWB16(4:1)-212	12000	212	202.2	59.36	F25	125
JWB16(4.6:1)-244	12000	244	175.6	68.33	F25	125
JWB16(5:1)-265	12000	265	112.5	106.68	F25	125
JWB16(5.75:1)-305	12000	305	140.5	85.40	F25	125
JWB16(11.5:1)-609	12000	609	70.4	170.52	F25	125
JWB20-70	32000	70	1203.0	26.60	F25	120
JWB20(2.6:1)-91	32000	91	642.6	49.8	F25	150
JWB20(2:1)-140	32000	140	914.3	35.00	F25	150
JWB20(2.6:1)-182	32000	182	703.3	45.50	F25	150
JWB20(3.1:1)-210	32000	217	589.9	54.25	F25	150
JWB20(3.5:1)-245	32000	245	522.4	61.26	F25	150
JWB20(4:1)-280	32000	280	457.1	70.00	F25	150
JWB20(4.3:1)-300	32000	300	426.7	75.00	F25	150
JWB20(4.6:1)-322	32000	322	397.5	80.50	F25	150
JWB20(5:1)-350	32000	350	365.7	87.50	F25	150
JWB20(5.75:1)-403	32000	403	317.6	100.75	F25	150

Model	Max Output Torque (N.m)	Ratio	Max Input Torque (N.m)	M.A.	Flange Type	Weight (Kg)
JWB20(11.5:1)-805	32000	805	159.0	201.25	F25	150
JWB26-71	50000	71	2428.4	20.59	F30	251
JWB26(2:1)-142	50000	142	1408.5	35.50	F30	300
JWB26(2.6:1)-185	50000	185	1081.1	51.72	F30	300
JWB26(3:1)-213	50000	213	939.0	53.25	F30	300
JWB26(4:1)-284	50000	284	704.2	71.00	F30	300
JWB26(5:1)-355	50000	355	563.4	88.75	F30	300
JWB26(6:1)-426	50000	426	469.5	106.50	F30	300
JWB26(6.5:1)-462	50000	462	506.98	98.64	F30	300
JWB26(9:1)-639	50000	639	313.0	159.75	F30	300
JWB26(13:1)-923	50000	923	373.33	133.93	F30	300
JWB33-71	80000	71	3885.4	20.59	F35	410
JWB33(2:1)-142	80000	142	2253.5	35.50	F35	490
JWB33(2.6:1)-185	80000	185	1729.7	46.25	F35	490
JWB33(3:1)-213	80000	213	1502.3	53.25	F35	490
JWB33(4:1)-284	80000	284	825.6	96.9	F35	490
JWB33(5.2:1)-369	80000	369	867.2	92.25	F35	490
JWB33(6:1)-426	80000	426	751.2	106.50	F35	490
JWB33(6.5:1)-462	80000	462	692.6	115.50	F35	490
JWB33(9:1)-639	80000	639	500.8	159.75	F35	490
JWB33(13:1)-923	80000	923	346.7	230.75	F35	490
JWB37-76	130000	76	6109.0	21.28	F40	630
JWB37(2:1)-152	130000	152	3421.1	38.00	F40	720
JWB37(2.5:1)-190	130000	190	2436.8	47.50	F40	720
JWB37(3:1)-228	130000	228	2280.7	57.00	F40	720
JWB37(4:1)-304	130000	304	1710.5	76.00	F40	720
JWB37(5:1)-380	130000	380	1368.4	95.00	F40	720
JWB37(6:1)-456	130000	456	1140.4	114.00	F40	720
JWB37(8.25:1)-627	130000	627	829.3	156.75	F40	720
JWB37(9:1)-684	130000	684	760.2	171.00	F40	720
JWB37(16.5:1)-1254	130000	1254	414.7	313.50	F40	720
JWB45-77	220000	77	10204.1	21.56	F48	950
JWB45(2:1)-154	220000	154	5714.3	38.50	F48	1080
JWB45(2.5:1)-192	220000	192	4583.3	48.00	F48	1080
JWB45(3:1)-231	220000	231	3809.5	57.75	F48	1080
JWB45(4:1)-308	220000	308	2857.1	77.00	F48	1080
JWB45(5:1)-385	220000	385	2285.7	96.25	F48	1080
JWB45(6:1)-462	220000	462	1498.64	146.80	F48	1080
JWB45(8.25:1)-635	220000	635	1385.8	158.75	F48	1080
JWB45(9:1)-693	220000	693	1269.8	173.25	F48	1080
JWB45(16.5:1)-1270	220000	1270	692.9	317.50	F48	1080

\* More specifications are available on request.

### JWC SERIES - SINGLE STAGE



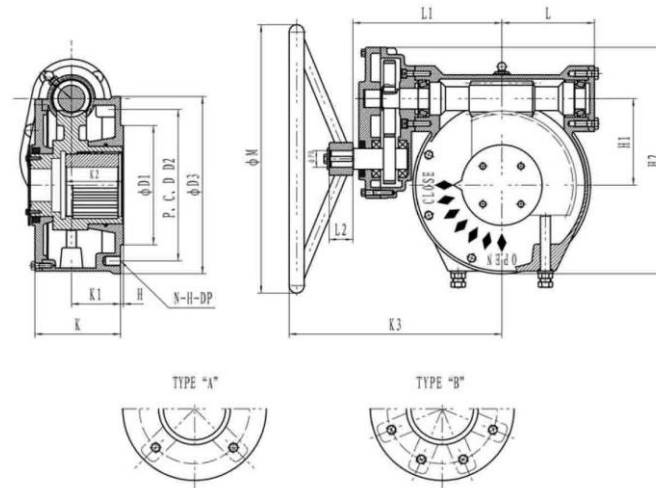
#### Dimension

/mm

Model	JWC-00	JWC-0	JWC-01	JWC-02	JWC-03	JWC-04	JWC-05	JWC-06
Type	A	A	A	A	B	B	B	B
Flange Type	F10	F12	F14	F16	F20	F25	F30	F35
$\Phi D_1$	70	85	100	130	140	200	230	260
$D_2$	102	125	140	165	205	254	298	356
N-H-DP	4-M10-15	4-M12-18	4-M16-24	4-M20-30	8-M16-24	8-M16-24	8-M20-30	8-M20-45
$\Phi D_3$	125	150	175	210	250	300	350	415
H	3	3	4	5	5	5	5	5
$H_1$	55	66	75	92	111	145	185	230
$H_2$	151	208	230	270	303	373	420	495
K	35	89	89	108	110	140	140	179
$K_1$	43	51	52	63	61	85	87	110
$K_2$	42	47	58	62	60	100	102	112
$K_3$	200	230	285	330	380	430	465	530
L	70	83	92	113	125	155	197	230
$L_1$	102	135	145	192	213	256	265	340
$L_2$	35	35	35	40	40	40	50	50
$\Phi PD$	15	21	21	28	28	28	45	45
KEY	5	6	6	8	8	8	12	12
$\Phi M$	300	370	450	550	650	700	750	750

\* The information herein is subject to change without notice.

### JWC SERIES - TWO STAGES



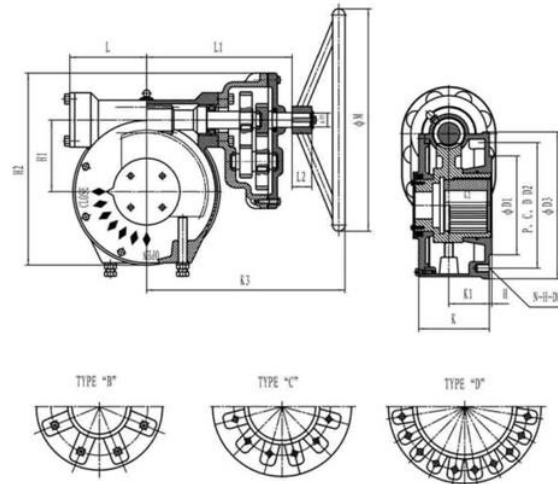
#### Dimension

/mm

Model	JWC-0-1S	JWC-01-1S	JWC-02-1S	JWC-03-1S	JWC-04-1S	JWC-05-1S	JWC-06-1S
Type	A	A	A	B	B	B	B
Flange Type	F12	F14	F16	F20	F25	F30	F35
$\phi D_1$	85	100	130	140	200	230	260
$D_2$	125	140	165	205	254	298	356
N-H-DP	4-M12-18	4-M12-18	4-M16-24	8-M16-24	8-M16-24	8-M20-30	8-M30-45
$\phi D_3$	150	150	175	250	300	350	415
H	3	4	5	5	5	5	5
$H_1$	66	75	92	111	145	185	230
$H_2$	196	221	283	322	388	404	510
K	89	89	108	110	140	140	179
$K_1$	47	45	63	57	80	70	90
$K_2$	47	58	62	60	100	102	112
$K_3$	230	260	308	360	455	515	534
L	83	92	113	125	155	197	230
$L_1$	161	170	198	211	260	294	338
$L_2$	35	35	35	40	40	40	40
$\phi PD$	21	21	21	28	28	28	28
KEY	6	6	6	8	8	8	8
$\phi M$	300	350	450	500	600	650	700

\* The information herein is subject to change without notice.



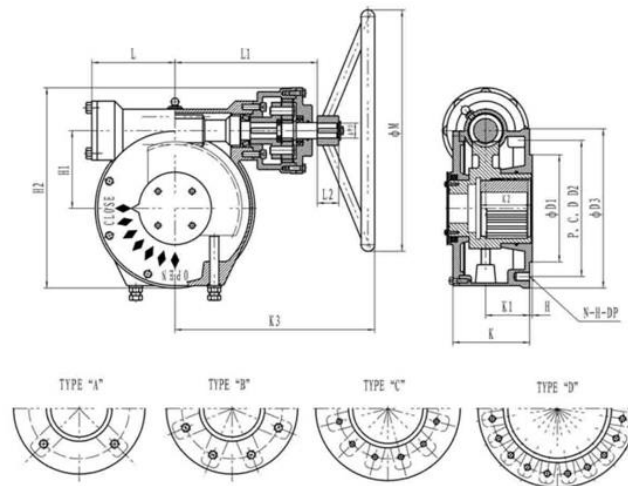


### Dimension

/mm

Model	JWC-04-1SD	JWC-05-1SD	JWC-06-1SD	JWC-07-1SD	JWC-08-1SD	JWC-09-1SD
Type	B	B	B	B	C	D
Flange Type	F25	F30	F35	F40	F48	F60
$\Phi D_1$	200	230	260	300	370	470
$D_2$	254	298	356	406	483	603
N-H-DP	8-M16-24	8-M20-30	8-M30-45	8-M36-54	12-M36-54	20-M36-54
$\Phi D_3$	300	350	415	475	560	686
H	5	5	5	8	8	8
$H_1$	145	185	230	288	328	335
$H_2$	388	404	510	582	670	838
K	140	140	179	188	203	215
$K_1$	80	70	90	100	100	117
$K_2$	100	102	112	140	155	170
$K_3$	455	515	534	593	653	720
L	155	197	230	264	300	368
$L_1$	295	325	359	413	453	520
$L_2$	40	40	40	50	50	50
$\Phi PD$	28	28	28	38	45	45
KEY	8	8	8	10	12	12
$\Phi M$	600	650	700	750	800	800

\* The information herein is subject to change without notice.

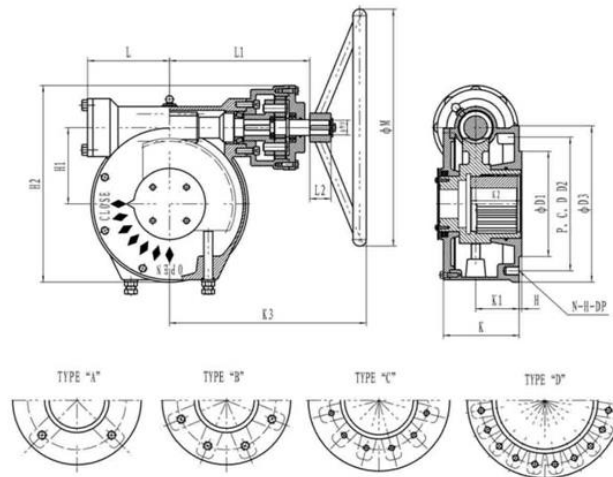


### Dimension

/mm

Model	JWC-01-1SP	JWC-02-1SP	JWC-03-1SP	JWC-04-1SP
Type	A	A	B	B
Flange Type	F14	F16/F20	F20	F25
$\Phi D_1$	100	130	140	200
$D_2$	140	165	205	254
N-H-DP	4-M16-24	4-M20-30	8-M16-24	8-M16-24
$\Phi D_3$	175	210	250	300
H	4	5	5	5
$H_1$	75	92	111	145
$H_2$	230	270	303	373
K	89	108	110	140
$K_1$	45	63	57	80
$K_2$	58	62	60	100
$K_3$	265	365	377	415
L	92	113	125	155
$L_1$	170	225	237	275
$L_2$	35	35	35	40
$\Phi PD$	21	21	21	28
KEY	6×6	6×6	6×6	8×7
$\Phi M$	350	400	450	500

\* The information herein is subject to change without notice.



### Dimension

/mm

Model	JWC-05-1SP	JWC-06-1SP	JWC-07-1SP	JWC-08-1SP	JWC-09-1SP
Type	B	B	B	C	D
Flange Type	F25/F30	F35	F40	F48	F60
$\Phi D_1$	230	260	300	370	470
$D_2$	298	356	406	483	603
N-H-DP	8-M20-30	8-M30-45	8-M36-54	12-M36-54	20-M36-54
$\Phi D_3$	350	415	475	560	686
H	5	5	8	8	8
$H_1$	185	230	288	328	335
$H_2$	420	495	570	662	768
K	140	179	188	203	215
$K_1$	70	90	100	100	117
$K_2$	102	112	140	155	170
$K_3$	460	540	618	713	782
L	197	230	264	300	368
$L_1$	300	365	498	513	582
$L_2$	40	40	40	40	40
$\Phi PD$	28	28	28	28	32
KEY	8x7	8x7	8x7	8x7	10x8
$\Phi M$	600	700	600	800	800

\* The information herein is subject to change without notice.

### JWC SERIES SIZING CHART

Model	Max Output Torque (N.m)	Ratio	Max Input Torque (N.m)	M.A.	Flange Type	Weight (Kg)
JWC-00	500	33	60	8.25	F10	6
JWC-0	980	39	100	9.75	F12	10
JWC-01	1400	46	121	11.5	F14	13
JWC-02	2500	49	204	12.25	F16	22
JWC-03	4680	60	312	15	F20	31
JWC-04	6050	68	356	17	F25	50
JWC-05	7000	59	474	14.75	F30	80
JWC-06	8500	67	507	16.75	F35	90
JWC-0-1S	1000	72	55	18	F12	13
JWC-01-1S	1850	85	84	22	F14	16
JWC-02-1S	3000	77	150	20	F16	33
JWC-03-1S	4000	94	166	24	F20	41
JWC-04-1S	6500	107	243	26.7	F25	60
JWC-05-1S	10000	106	377	26.5	F30	100
JWC-06-1S	15000	118	508	29.5	F35	120
JWC-04-1SD	8000	217	169.1	47.3	F25	65
JWC-05-1SD	15000	260	262.2	57.2	F30	110
JWC-06-1SD	18000	290	292.2	61.6	F35	130
JWC-07-1SD	28000	432	318.2	88.0	F40	160
JWC-08-1SD	53000	518	489.8	108.2	F48	260
JWC-09-1SD	80000	1328	365.1	219.1	F60	480
JWC-01-1SP	1850	150	58.0	31.9	F14	17
JWC-02-1SP	3000	215	63.4	47.3	F16	28
JWC-03-1SP	4000	260	69.9	57.2	F20	38
JWC-04-1SP	7000	298	117.8	59.4	F25	59
JWC-05-1SP	12000	310	181.8	66.0	F30	88
JWC-06-1SP	16000	350	230.9	69.3	F35	98
JWC-07-1SP	25000	1120	113.6	220.0	F40	135
JWC-08-1SP	50000	1350	221.7	225.5	F48	225
JWC-09-1SP	80000	1680	220.4	363.0	F60	450

\* More specifications are available on request.